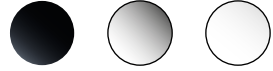


CRISTAL



available colours:



Do you live in the area with uneven terrain, that only **CRISTAL** electric mobility scooter, a 3-wheeler with full suspension vehicle can tackle? **CRISTAL** from Veledo is an electric mobility scooter equipped with 1000 W motor, which can easily deal with any kind of road obstacle. Available in three luxurious colours: black, silver and white. It is well suited for all refined users.

*The scooter comes **assembled and ready to go!*** 

SPECIFICATIONS

OVERVIEW

Max user weight: 160 kg / 25.2 st
Scooter weight: 120 kg / 18.9 st
Hill climbing ability: 17°
Maximum range on single charge:
40-60 km / 24.9-37.3 mi
Speed of response: Low
Maximum speed: 8 mph / 12 km/h
Acceleration system: Right-hand
scooter throttle
Seat adjustment: Yes
Suspension: Full
Compliant with DVLA requirements:
Yes
Scooter class: Class-3
Vehicle autonomy: Level 0
Optimal air humidity for storage and
use: 30%
Working temperature of electronic
parts: -10 °C to +40 °C
Turning radius: 224 cm / 88.2"

MOTOR

Power: 1000 W
Voltage: 60 V

BATTERY

Type: Lead-Acid
Capacity: 20 Ah
Voltage: 60 V
Life cycle: 600 full charges
Charge time: ≈8 h

BRAKES

Front: Drum
Rear: Drum
Magnetic brake: No

WHEELS

Amount: 3
Type of tyres: Pneumatic tubeless
Size: 3.00-10"
Tyre pressure: 2.25 bar / 225 kPa / 32.5
PSI

LIGHTS

Low beam headlight: H51
High beam headlight: H51
Position lights: LED (integrated with
lamp)
Front and rear signal lights: LED (in-
tegrated with lamp)
Brake light: LED (integrated with
lamp)
Hazard lights: LED (integrated with
lamp)
Registration plate light: LED (integra-
ted with lamp)

FEATURES

Horn
Rearview mirrors
Steering wheel lock
Parking brake
Analogue display
USB port
Anti-tipping safety wheels



sales@veleco.pl



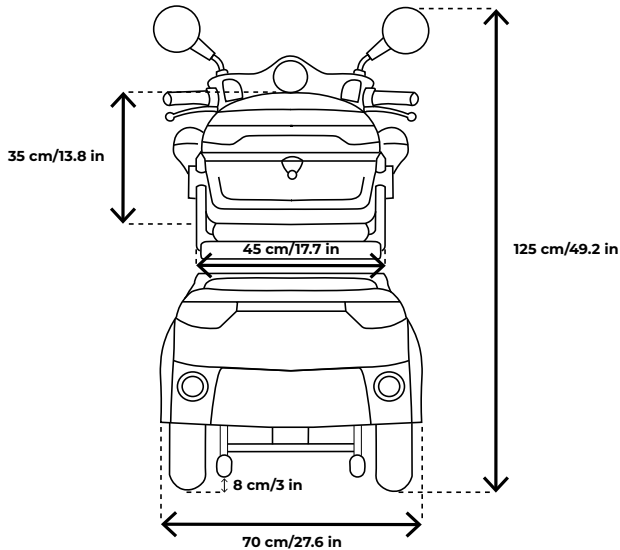
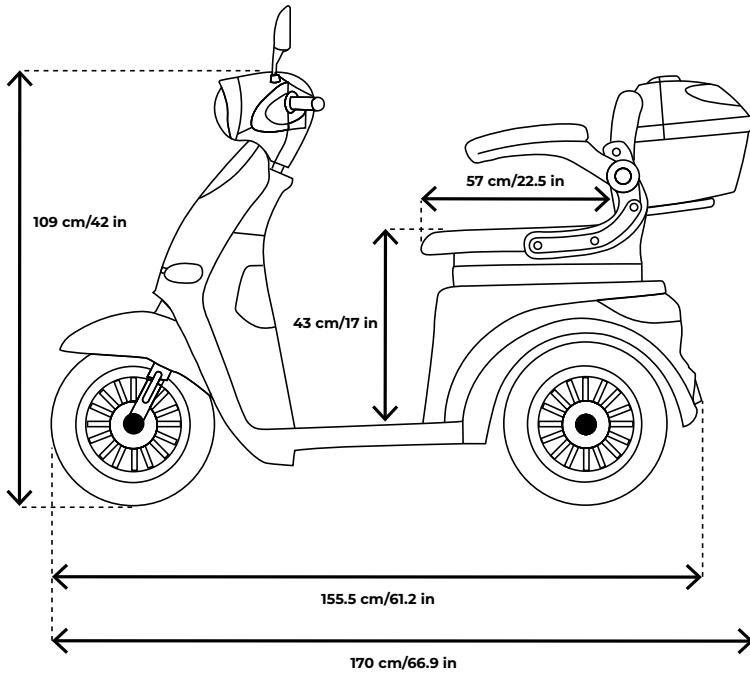
+48 34 35 80 44



veleco.eu

veleco
Luxury Medical Devices

CRISTAL





sales@veleco.pl



+48 34 35 80 44



veleco.eu

Veleco
Luxury Medical Devices