

ZT63



available colours:



Our **ZT63** electric scooter is a perfect choice for any customer who fancies the look straight from early and middle 1900s. This retro-Italian style mobility scooter is a perfect balance between old body and brand-new heart of the vehicle. This model is favoured by everyone who prefers to have their mobility vehicle not look like a mobility aid.

The scooter comes **assembled and ready to go!** 

SPECIFICATIONS

OVERVIEW

Max user weight: 199 kg / 31.3 st
Scooter weight: 94 kg / 14.8 st
Hill climbing ability: 17°
Maximum range on single charge: 40-60 km / 24.9-37.3 mi
Speed of response: Medium
Maximum speed: 8 mph / 12 km/h
Acceleration system: Right-hand scooter throttle
Seat adjustment: No
Suspension: Full
Compliant with DVLA requirements: Yes
Scooter class: Class-3
Vehicle autonomy: Level 0
Optimal air humidity for storage and use: 30%
Working temperature of electronic parts: -10 °C to +40 °C
Turning radius: 195 cm / 76.8"

MOTOR

Power: 650 W
Voltage: 60 V

BATTERY

Type: Lead-Acid
Capacity: 20 Ah
Voltage: 60 V
Life cycle: 600 full charges
Charge time: ≈8 h

BRAKES

Front: Hydraulic disc
Rear: Drum
Magnetic brake: No

WHEELS

Amount: 3
Type of tyres: Pneumatic tubeless
Size: 3.00-10"
Tyre pressure: 2.25 bar / 225 kPa / 32.5 PSI

LIGHTS

Low beam headlight: S2
High beam headlight: S2
Position lights: W5W
Tail lights: P21/5 W
Daytime running lights: S2
Signal lights: R10W 12V
Brake light: P21/5 W
Hazard lights: R10W 12V

FEATURES

Horn
Rearview mirrors
Steering wheel lock
Parking brake
Electric LED display
Alarm
Remote control



sales@veleco.pl



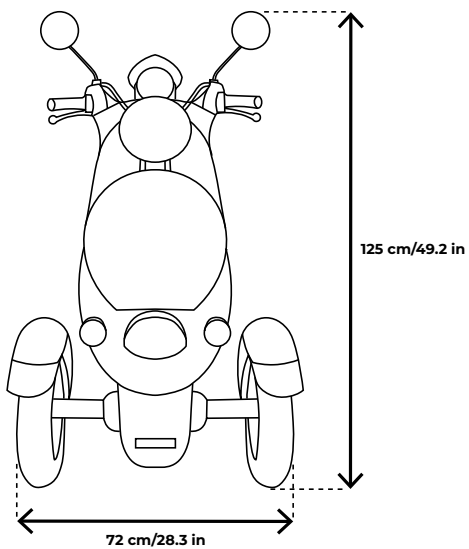
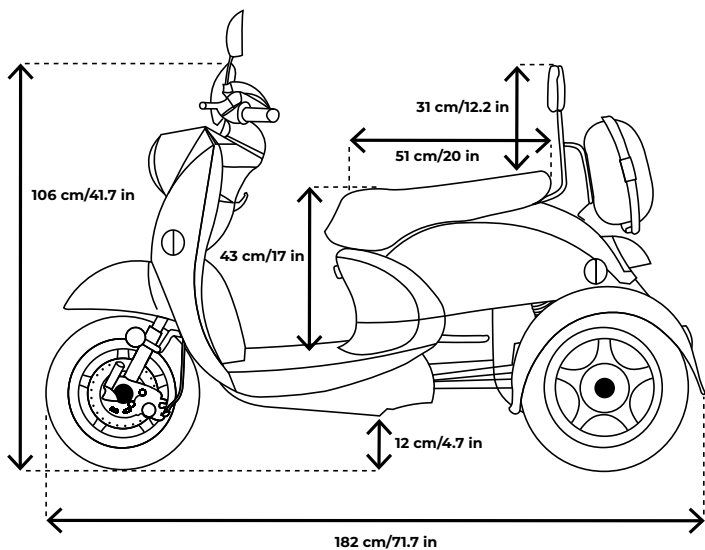
+48 34 35 80 44



veleco.eu

veleco
Luxury Medical Devices

ZT63





sales@veleco.pl



+48 34 35 80 44



veleco.eu

veleco
Luxury Medical Devices